



**SERVICE**

**SØNDERVANG 3  
DK-9640 FARSØ,  
DENMARK  
+45 9966 1600  
+45 9863 2433**

---

## **SERVICE BULLETIN TE1906**

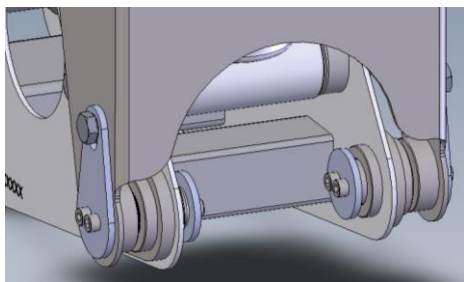
**Date:** October the 30th, 2019

**To:** Versalift Distributors and End Users

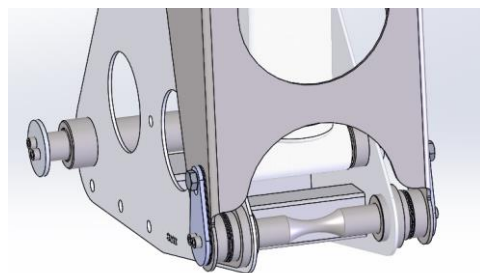
**Subject:** Regarding pinbolt on 120° flyboom bucket support (flyboom EO-05-14-14 L=1850mm, EO-05-14-16 L=2010 mm).

### **The Problem:**

Versalift Denmark has learned that there can be problems related to the pin bolts in the bucket support bracket. This appears in the earlier versions of the 120° flyboom (for ETL lifts).



2 pins version



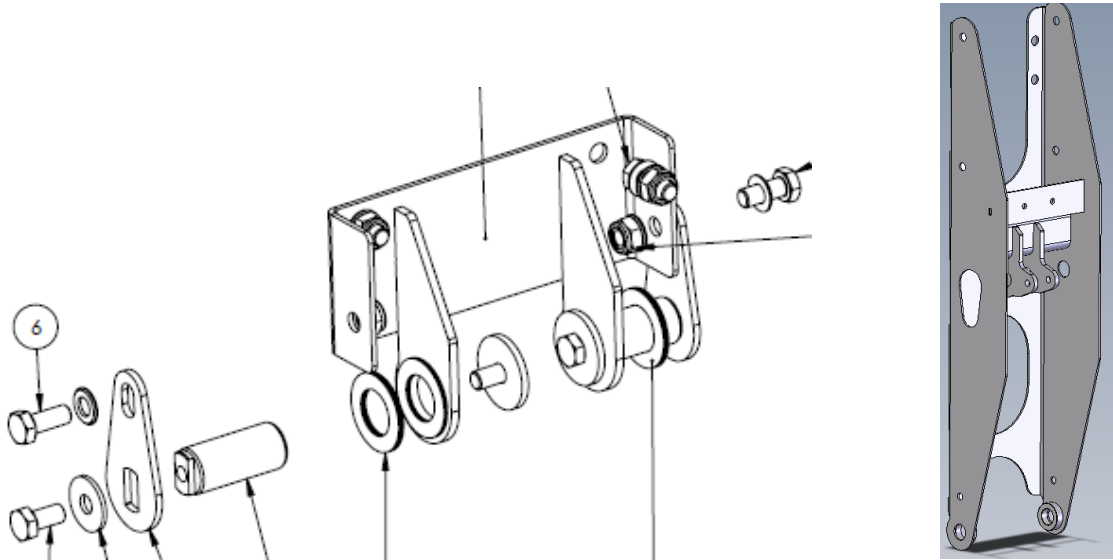
1 pin system (pin machined)

### **Units Affected:**

Customers/distributors with affected 120° flybooms will be contacted.

## **Solution:**

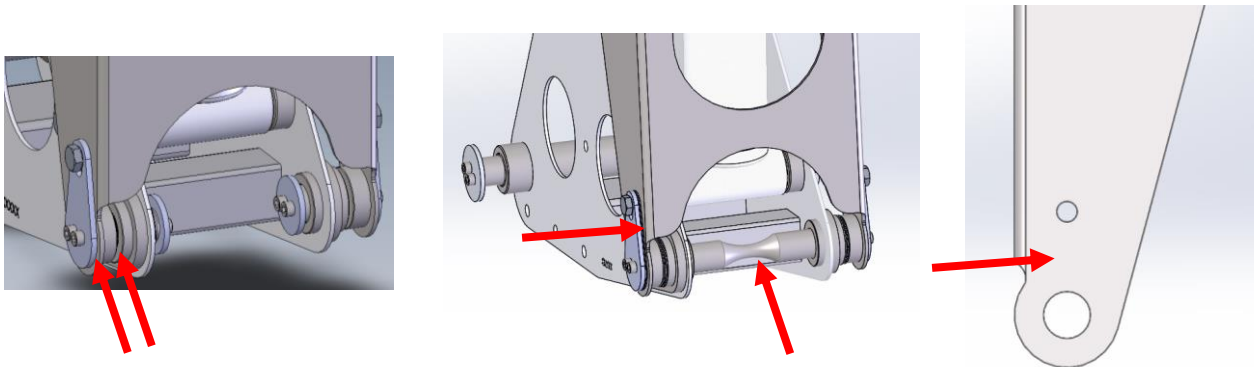
A repair kit RK-05-14-02 has been made to create a fork yoke to remove movement and bending stresses. Replace old system with this repair kit RK-05-14-02. Additional 2 new holes must be drilled in back of the bucket bracket – see RK-05-14-02 Mounting Instruction and drawing 05-10227-47-01.



Repair kit to remove bending stresses in pin and in the bucket bracket 05-10227-33-01.

## **What to check daily and every 14 day:**

Enduser must do daily checks after the guidelines in the **Service Manual**. It is additional recommended to check the affected pinbolts, bucket bracket and bushings for cracks for every 14th days. If cracks or defects are detected the lift must not be used before it has been repaired with new parts or with repair kit RK-05-14-02.



## **What the enduser must do:**

If cracks are detected the lift must not be used before it has been repaired with new parts or with repair kit RK-05-14-02.

Contact Distributor for ordering new parts.

## **What the Versalift Distributor must do:**

Contact end customers with the affected flyboom.

The distributor must have done this repair/replacement within 3 months from receipt of this Service Bulletin TE1906.

## **What VERSALIFT Denmark Will Do:**

VERSALIFT Denmark will send spare parts (repair kit RK-05-14-02) as soon as possible when they are ordered.

To order spare parts contact [parts@versalift.dk](mailto:parts@versalift.dk).

Distributors will be reimbursed according to normal warranty rates and terms. For this update, we maximal accept 2 hours.

For further information about this issue, feel free to contact the Versalift Service Department at [Service@versalift.dk](mailto:Service@versalift.dk) or at +45 99 66 16 16.

Place and Date: Farsoe, 30.10.2019

Jens Jørn Bystrup  
Service Quality Coordinator

---

Signature