

SERVICE BULLETIN: Fly-boom head stock EO400-401 Issue 2



DATE AND TIME OF ISSUE: 25nd March 2019 at 14:00

Details:

In-service wear/ cracking has been detected on the bucket bracket at the lower pivot point (circled in red on page 2). This may affect the lifts listed below:

VB160009	VB160037	VB160059	VB170028	VB170056	VC170038	VC180068
VB160012	VB160038	VB170007	VB170029	VB170057	VC170039	VC180069
VB160014	VB160039	VB170008	VB170031	VB170058	VC170040	VC180070
VB160015	VB160040	VB170009	VB170032	VB170059	VC170041	VC180071
VB160016	VB160047	VB170010	VB170033	VB170060	VC170042	VC180072
VB160017	VB160048	VB170011	VB170034	VB170061	VC170044	VC180073
VB160018	VB160050	VB170012	VB170035	VB170062	VC170071	VF170034
VB160019	VB160051	VB170013	VB170036	VB170063	VC170072	VF170039
VB160020	VB160054	VB170014	VB170037	VB170064	VC170073	VF170077
VB160021	VB160055	VB170023	VB170049	VB180030	VC170074	VF170078
VB160034	VB160056	VB170024	VB170052	VB180032	VC170075	
VB160035	VB160057	VB170025	VB170053	VC160001	VC170076	
VB160036	VB160058	VB170026	VB170055	VC170037	VC180067	

Solution:

Operators of the lifts listed above are to immediately, upon receipt of this Service Bulletin, inspect the bucket bracket (Item 2 overleaf) for signs of wear/ cracking around the lower pivot point. If there are signs of wear, please remove the vehicle from operation and report your finding to the contact detailed below.

A Versalift in-service inspection/ modification will be carried out to all lifts, as listed above, within 1 month of the date of this Service Bulletin. The Versalift Service team will contact you in due course to schedule these works.

If you have any questions, or if further information is required, please contact the Versalift Technical Help Line on +44(0)1536 721010.

Issued by: Tom Johnson CEng MIMechE

Job Title: Engineering Manager

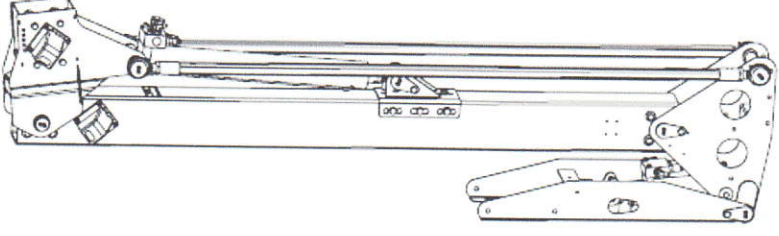
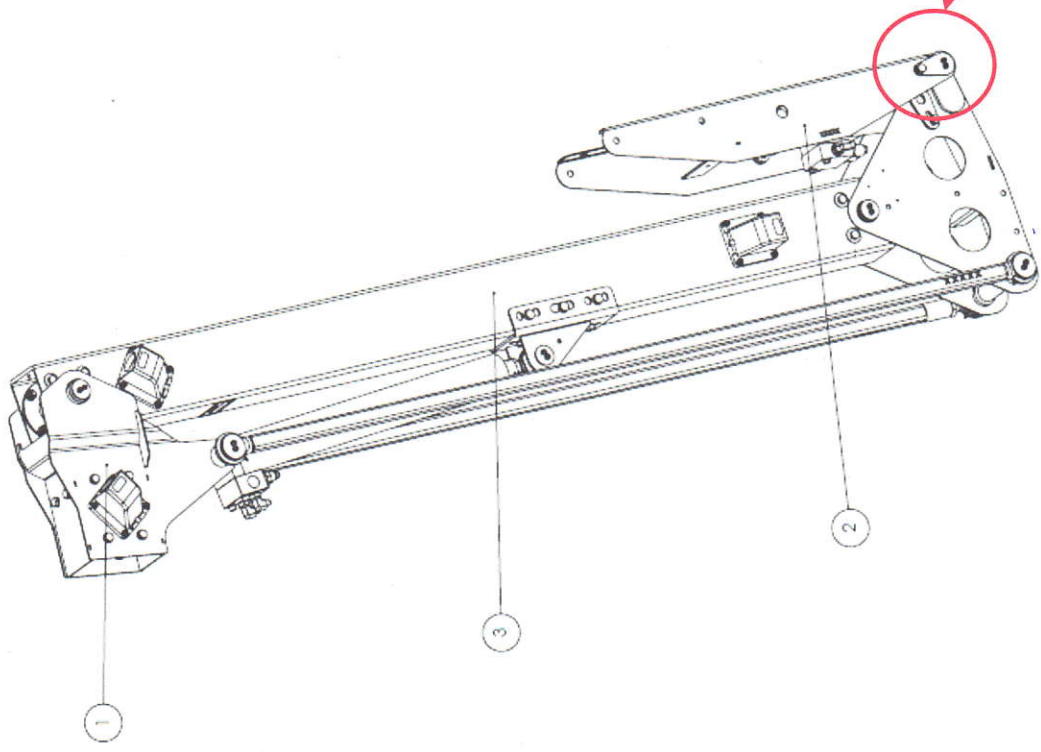
Signature:

Versalift Distributors (UK) Limited, 1 Altendiez Way, Latimer Park, Burton Latimer, Northants. NN15 5YZ.
Tel. =44(0)1536 721010 Fax +44(0)1536 721110 Email: support@versalift.co.uk

REV.

A

APPROVED



ITEM NO.	PART NUMBER	DESCRIPTION	Rev.	Lathe-Turn	Mill	Cut	Weld	MATERIAL	Code	Material type	QTY.
1	05-10227-10-01	Flyboom head ETL asm (4x3,2)	B						88		1
2	05-10227-30-01	Bucket bracket arm ETL 120° Flyboom	B						88		1
3	05-10230-10-01	Boom 1850 mm assembly	B						88		1

The manufacturer is responsible for checking the applied K-factors as well as the correct standard for fitting and adjust to fit the vessel being constructed. TOLERANCES UNLESS OTHERWISE NOTED: DIN ISO 2768-mS

PROJECTION OF VIEWS: Sheet 2 of 2

Material: Refer to drawing:

Description: Flyboom 1850 mm assembled
Refer to EO-Nr: 05-14-14
Material handling: - - - Code: 88

Coating: NOTES:

OWN BY: DATE: LAST DTD: ESN: 151218 160506
REV. DATE: SCALE: A: 151218 1:50
DRAWING NUMBER: 05-10230-00-01

PROPERTY INFORMATION
This drawing is the property of TIME EXPERT. It is to be used only for the purpose intended and is not to be reproduced or copied in any manner without the prior written consent of TIME EXPERT. All rights reserved.

QUALITY EXPERT

TIME EXPERT

FLYBOOM 120° FOR ETL
L3
VERSION 2016